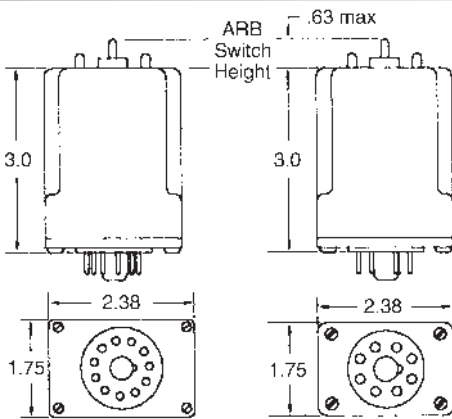




Duplexor

DIMENSIONS (INCHES)



The **Duplexor** is used in control panels where **two loads** are required to alternate to provide equal run time on the loads. The alternating action is initiated by a control switch, which is common with one side of the control voltage. The output contacts will change states each time the control switch is opened, thus alternating the two loads. The LED indicators show the position of the output relay.

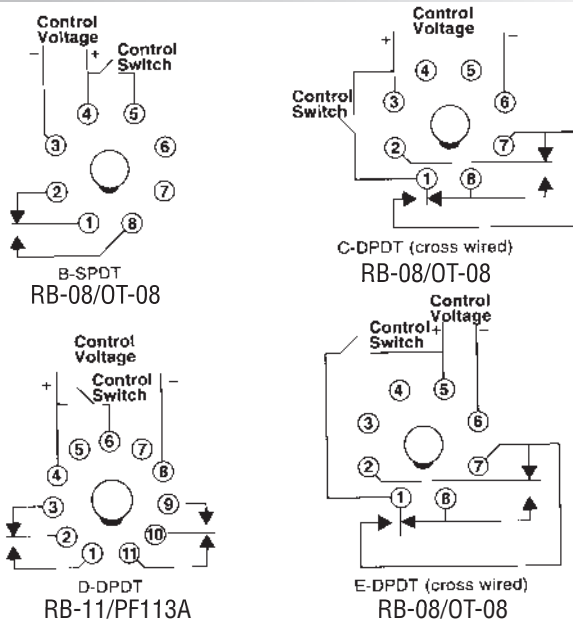
The ARA series is the standard Duplexor providing automatic alternating sequence. The ARB has the automatic sequencing feature plus the option of locking it into one sequence. A three position switch permits the field selection of normal duplexing action, locking in the A-B sequence, or B-A sequence.

SPECIFICATIONS

CONTROL VOLTAGE	24, 120 VAC/DC, 208, 240, 480 VAC, 50/60Hz, 48 VDC, ±10%	
CONTROL SWITCH CURRENT	1 mA	
POWER REQUIRED	3 VA (Approximately)	
DUTY CYCLE	Continuous	
LIFE EXPECTANCY	Mechanical	10,000,000 Operations (Minimum)
	Electrical	100,000 Operations @ Rated Load
INDICATORS	LED Shows Output Position	
TEMPERATURES RATING	Operate	-4° to 131°F (-20° to +55°C)
	Storage	-40° to 185°F (-40° to +85°C)
CONTACT RATING	10 Amps @ 240 VAC, Resistive 1/8 hp @ 120 VAC, 1/4 hp @ 240 VAC Inductive, 360 VA @ 240 VAC, Inductive	
ENCLOSURE	"A" Lexan® Dust Cover	
TERMINATIONS	Industrial Plug-in	
WEIGHT	4.5 oz.	

NOTE: For Analog signal inputs, ATC offers a duplexing pump control — the ATC-Digitec 3800 Panel Meter 480 VAC is not available in the D-DPDT 11-Pin configuration

WIRING



MODEL NUMBER >>>>>	AR			A
Type of Alternating Relay				
Standard Duplexor	A			
Control Voltage				
24 VAC/DC		24		
48 VDC		48		
208 VAC		208		
240 VAC		240		
380-408 VAC (Consult Factory)		480		
Type of Voltage				
48 VDC only			D	
Contact Configuration				
DPDT (Cross Wired)			C	
DPDT			D	
DPDT (Cross Wired)			E	